

4

3

2

1

THIS DRAWING IS UNPUBLISHED.
DIFFUSION RESTREINTE

RELEASED FOR PUBLICATION
LIBRE A LA DIFFUSION

2011

LOC -

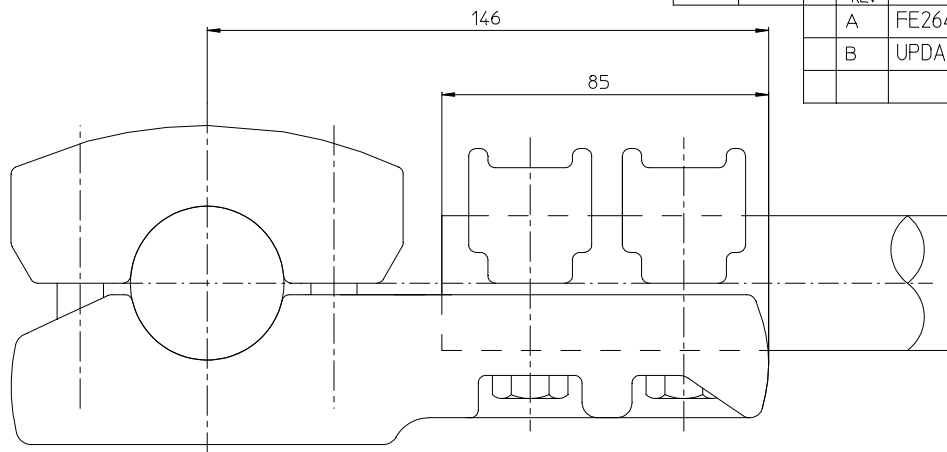
DIST -

REVISIONS

© COPYRIGHT 2011 by Tyco Electronics Corporation

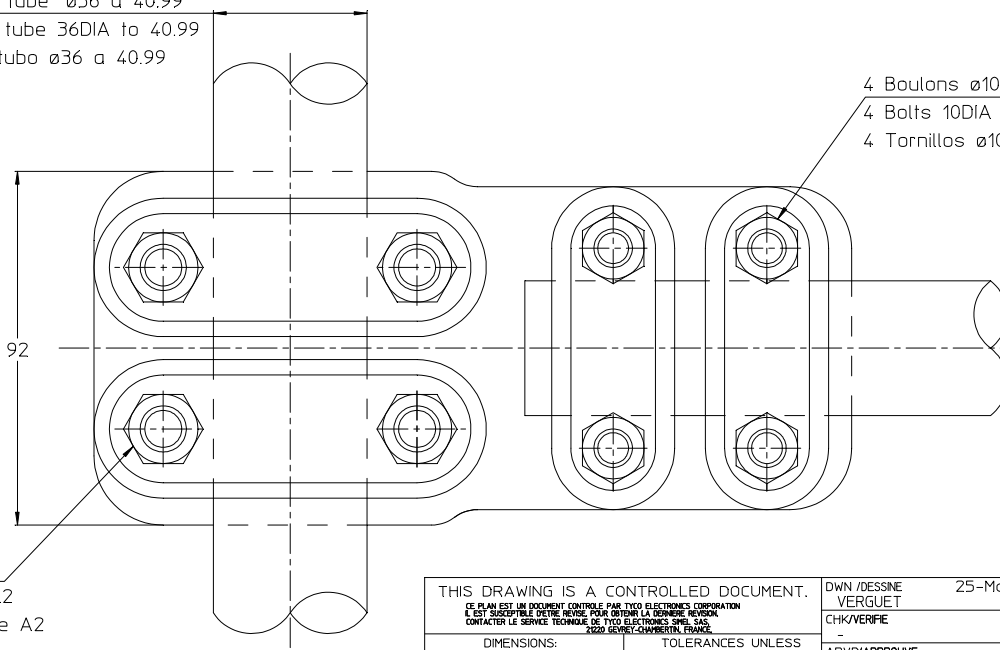
ALL RIGHTS RESERVED.
TOUS DROITS RESERVES

P	LTR REV	DESCRIPTION MODIFICATIONS	DATE	DWN DESS	APVD APPR
A		FE264	25-Mar-93	CV	-
B		UPDATED DRAWING	19-Apr-13	PG	



Cable ou tube ø31 à 35.99
 Cable or tube 31DIA to 35.99
 Cable o tubo ø31 a 35.99


Cable ou tube ø36 à 40.99
 Cable or tube 36DIA to 40.99
 Cable o tubo ø36 a 40.99



4 Boulons ø10 Acier Inox A2
 4 Bolts 10DIA Stainless steel A2
 4 Tornillos ø10 Acero inoxidable A2 } 37 Nm

60 Nm

4 Boulons ø12 Acier Inox A2
 4 Bolts 12DIA Stainless steel A2
 4 Tornillos ø12 Acero inoxidable A2

THIS DRAWING IS A CONTROLLED DOCUMENT. <small>LE PLAN EST UN DOCUMENT CONTROLÉ PAR TYCO ELECTRONICS CORPORATION IL EST SUSCEPTIBLE D'ÊTRE REVISÉ POUR OBTENIR LA DERNIÈRE RÉVISION CONTACTER LE SERVICE TECHNIQUE DE TYCO ELECTRONICS SNE, SAS 4220 LEVENECHAMBERTIN, FRANCE</small>		DWN /DESSINE VERGUET	25-Mar-93	 TE connectivity SIMEL PRODUCTS	
DIMENSIONS: mm		CHK/VERIFIE -	-		
TOLERANCES UNLESS OTHERWISE SPECIFIED PER TOLERANCES NON SPECIFIEES SELON :-		APVD/APPROUVE -	-	DRAWING NO No PLAN 706623	
MATERIAL MATIERE		PRODUCT SPEC SPEC. PRODUIT 02BFC0031	APPLICATION SPEC SPEC. APPLICATION -	SIZE FORMAT A3	RESTRICTED TO RESERVE A -
FINISH FINITION		WEIGHT MASSE APPROX.	1.8 Kg	CAGE CODE 00779	REVISIONS REV B
ITEM:		CUSTOMER DRAWING /PLAN CLIENT		UNIQUEMENT POUR REFERENCE	SCALE ECHELLE 3/4
				SHEET FEUILLE 1	OF DE 1